



**WHERE
PRECISION
DRIVES
PRODUCTION**



PVA350 SPECIFICATIONS

Work Area (1 Valve)

365 mm x 378mm x 101 mm
(14.375" x 14.875 in x 4.0")

Repeatability

±25 microns (±0.001")

Resolution

0.005 mm (0.0002")

Motor

Brushless DC servo

Drive Mechanism

Ball screw

Software

PathMaster® Windows® with offline
image programming

Power

120 V, 220 V +/- 10%, / 50-60 Hz

Air

80 PSI dry unlubricated air

Certification

CE certified

PVA350 BENCHTOP DISPENSING / COATING SYSTEM

The PVA350 is a flexible three or four-axis robot that is suitable for virtually any benchtop or laboratory selective coating and automated dispensing application. The PVA350 features a robust overhead motion platform employing brushless DC servo motors and precision ball screw slides. Encoder feedback on all axes assures a closed-loop process that is consistent and reliable. The PVA350 platform is enclosed for added protection during spray applications.

The PVA350 has many integrated features including:

- ▲ A compact, tabletop design that favors portability
- ▲ Large work area
- ▲ Optional four-axis tilt and rotation motion
- ▲ Optical encoder feedback on all axes of motion
- ▲ Coordinated motion in all axes simultaneously
- ▲ RS232 communication port
- ▲ Front panel LCD screen and remote trackball teach pendant
- ▲ Exclusive PathMaster® programming environment
- ▲ PVA's Global Service Network

For more information, please contact PVA at info@pva.net or 1-518-371-2684.

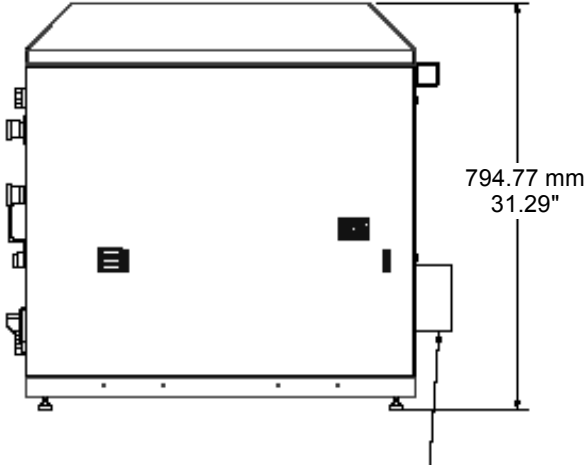
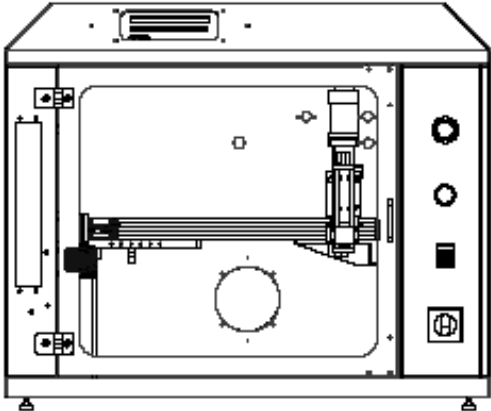
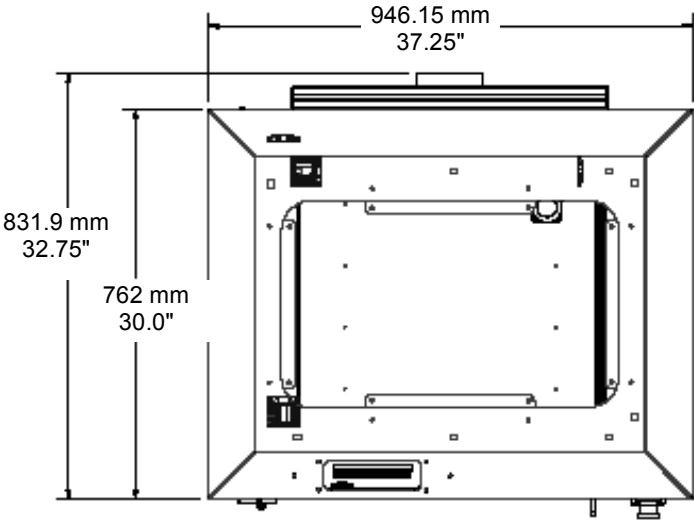


One Mustang Drive
Cohoes NY 12047
tel 518 371 2684
fx 518 371 2688
www.pva.net

PathMaster® is a registered trademark of Precision Valve & Automation, Inc.
Windows® is a registered trademark of Microsoft Corporation.
iPad® is a registered trademark of Apple, Inc.

Jan. 2014

PVA350
BENCHTOP DISPENSING / COATING SYSTEM



127mm (5") Diameter Flange
150 CFM Exhaust Required

