



**WHERE
PRECISION
DRIVES
PRODUCTION**



PVA6000 SPECIFICATIONS

Gantry System Design

Closed loop brushless DC servo motors with optical encoders and ball screw slides on all axes

Work Area

1 Valve:

459 mm x 459 mm x 101 mm
(18.07" x 18.07" x 4.0")

Note: available up to 1000mm x 1000mm
(39.37" x 39.37")

XYZ Repeatability

±25 microns (±0.001")

Encoder Resolution

5 microns (0.0002")

Maximum Acceleration

1g

Footprint

1219 mm x 1181 mm x 1835 mm
(48" x 46.5" x 72.25")

Programming Software

PathMaster® Software with offline image import and programming capability

PVA6000 COATING AND DISPENSING SYSTEM

The PVA6000 Coating and Dispensing System is a flexible workcell for coating, dispensing and custom applications. The system expertly performs conformal coating and dispensing applications that require a high level of accuracy and repeatability. Conceptualized for flexibility and stability, the new system incorporates features and attributes that improve accessibility, and incorporate ease of use and aesthetics.

The PVA6000 has many integrated features including:

- ▲ Robotic system accuracy of 25 microns
- ▲ Patented servo-controlled optional four-axis motion featuring valve tilt and rotate
- ▲ Closed loop process control throughout gantry system
- ▲ Micron level encoder resolution for unparalleled accuracy
- ▲ Multiple dispensing applications or materials in one cell
- ▲ Onboard PC with PVA Portal user interface and unlimited program storage
- ▲ Exclusive PathMaster® programming environment

For more information, please contact PVA at info@pva.net or 1-518-371-2684.



PathMaster® is a registered trademark of Precision Valve & Automation, Inc.
Windows® is a registered trademark of Microsoft Corporation.
iPad® is a registered trademark of Apple, Inc.

One Mustang Drive
Cohoes NY 12047
tel 518 371 2684
fx 518 371 2688
www.pva.net

PVA6000

The PVA6000 is ideal for selective conformal coating and dispensing applications that require a high level of accuracy and repeatability in moderate to high volume manufacturing environments. The PVA6000 is a closed-loop robotic platform featuring optical encoder feedback on all axes.

Power: 120V, 220V, 50-60 Hz
Air Supply: 80 psi dry, unlubricated air

XYZ Specifications

Gantry System: Brushless DC servo motors
Precision ball screw slides

XYZ Repeatability: ±25 microns (±0.001")

Maximum Speed (XYZ): 700 mm/sec (27.6"/sec)
Maximum Acceleration: 1g

Encoder Resolution: 5 microns (0.0002")

Payload Capacity: 11.36 kg (25 lbs.)

Standard Features:

- PVA Portal user interface
- PathMaster® Windows-based software
- FastPath™ offline image programming capability
- Onboard PC with flat screen monitor
- Remote teach pendant with trackball
- USB communication port
- Closed-loop low level exhaust notification (spray systems)
- Light tower (conveyorized systems)

Board Handling:

Conveyor Type: Flat belt or chain
Minimum Conveyor Width: 50 mm (1.97")
Board Clearance: 55 mm (2.17", custom to 4")
Edge Clearance: 4.7 mm (0.185")
Transport Height: 940 mm – 965 mm (37" – 38")
Communication Protocol: SMEMA

Conveyor Options: Lift and locate, through hole pin, under board support

Conveyor Speed: Up to 24.4m/min (80 ft/min)
Process Flow: Programmable right to left or left to right, bidirectional

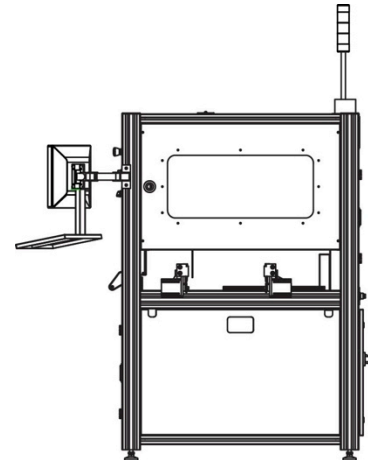
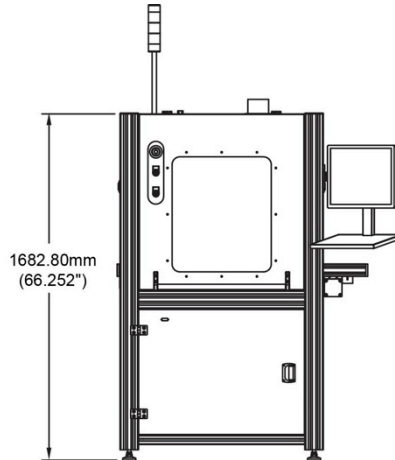
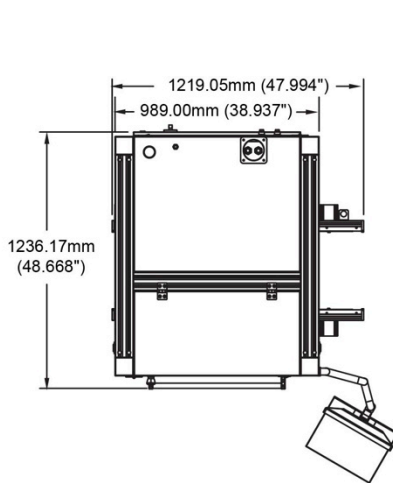
Weight Limit: 5 pounds (belt)
15 pounds (chain)

Dispensing Methods:

Compatible with all PVA valve and fluid delivery systems

Optional Features:

- Dual head tooling
- Closed-loop material flow monitoring
- Inline material metering
- Bar code program selection
- Conveyor auto width adjust
- Low level material sensor
- Valve and / or material heating



www.pva.net