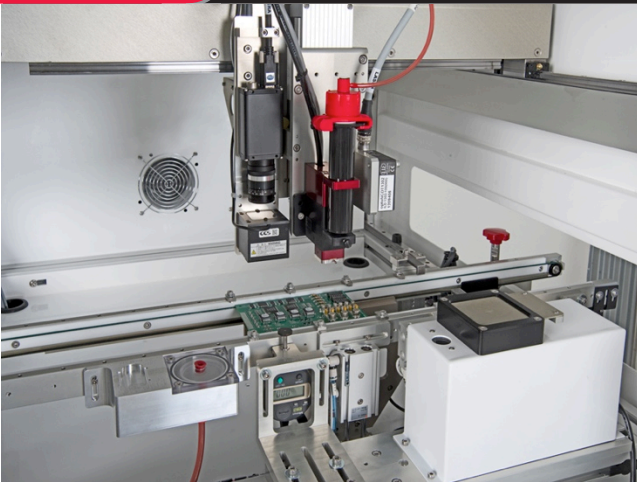




**WHERE  
PRECISION  
DRIVES  
PRODUCTION**



## Delta 6 SPECIFICATIONS

### Gantry System Design

Closed loop brushless DC servo motors with optical encoders and ball screw slides on all axes

### Work Area

1 Valve / Tool:  
537 mm x 485 mm x 101 mm  
(21.14" x 19.09" x 4.0")

### XYZ Repeatability

±25 microns (±0.001")

### Resolution

5 microns (0.0002")

### Maximum Acceleration

1g

### Footprint

847 mm x 1136.9 mm x 1606 mm  
(33.35" x 44.76" x 63.23")

### Programming Software

PathMaster® software with offline image import and programming capability

## Delta 6 SELECTIVE COATING / DISPENSING SYSTEM

The Delta 6 is a new, reimagined flexible robotic conformal coating/dispensing system that is ideal for selective coating, potting, bead, and meter-mix dispensing applications. The Delta 6 features a robust overhead three-axis motion platform suitable for inline or batch operations.

While maintaining the preferred features of previous workcells, the Delta 6 has been designed with a slimmer footprint, improved structural and gantry rigidity for robustness, and easier access.

The Delta 6 has many options and integrated features including:

- ▲ Robotic system repeatability of 25 microns
- ▲ Patented servo-controlled optional four-axis motion featuring valve tilt and rotate
- ▲ Closed loop process control throughout gantry system
- ▲ Multiple dispensing applications or materials in one cell
- ▲ Onboard PC for unlimited program storage
- ▲ Exclusive PathMaster® programming environment

For more information, please contact PVA at [info@pva.net](mailto:info@pva.net) or 1-518-371-2684.



One Mustang Drive  
Cohoes NY 12047  
tel 518 371 2684  
fx 518 371 2688  
[www.pva.net](http://www.pva.net)

PathMaster® is a registered trademark of Precision Valve & Automation, Inc.  
Windows® is a registered trademark of Microsoft Corporation.

March 2014

## Delta 6

The Delta 6 is ideal for selective conformal coating and dispensing applications that require a high level of accuracy and repeatability in moderate to high volume manufacturing environments. It is a closed-loop robotic platform featuring optical encoder feedback on all axes.

**Power:** 120V, 220V, 50-60 Hz  
**Air Supply:** 80 psi dry, unlubricated air

### XYZ Specifications

**Gantry System:** Brushless DC servo motors  
 Precision ball screw slides  
**XYZ Repeatability:** ±25 microns (±0.001")  
**Maximum Speed (XYZ):** 700 mm/sec (27.6"/sec)  
**Maximum Acceleration:** 1g

**Resolution:** 5 microns (0.0002")

**Payload Capacity:** 11.36 kg (25 lbs.)

### Standard Features:

PathMaster® Windows- based software  
 FastPath™ offline image programming capability  
 Onboard PC with flat screen monitor  
 Remote teach pendant with trackball  
 USB communication port  
 Closed-loop low level exhaust notification (spray systems)

### Optional Features:

Servo 4<sup>th</sup> Axis motion featuring valve tilt & rotate  
 Closed-loop material flow monitoring  
 Inline material metering  
 Bar code program selection  
 Low level fluid sensor  
 Valve and / or fluid heating  
 Programming camera  
 Active vision with XY correction  
 Substrate heating – contact or non-contact  
 Dispense zone weigh scale  
 Multi-zone conveyor  
 Conveyor auto width adjust

### Board Handling:

**Conveyor Type:** Flat belt or chain  
**Minimum Conveyor Width:** 50 mm (1.97")  
**Maximum Conveyor Width:** 500 mm (19.685")  
**Board Clearance Topside:** 55mm (2.17")  
**Board Clearance Underside:** 60 mm (2.36")  
**Edge Clearance:** 4.7 mm (0.185")

**Transport Height:** 940 mm – 965 mm (37" – 38")  
**Communication Protocol:** SMEMA  
**Conveyor Options:** Lift and locate, through hole pin, under board support

**Conveyor Speed:** Up to 24.4m/min (80 ft/min)  
**Process Flow:** Programmable right to left or left to right, bidirectional  
**Weight Limit:** 5 pounds (belt)  
 15 pounds (chain)

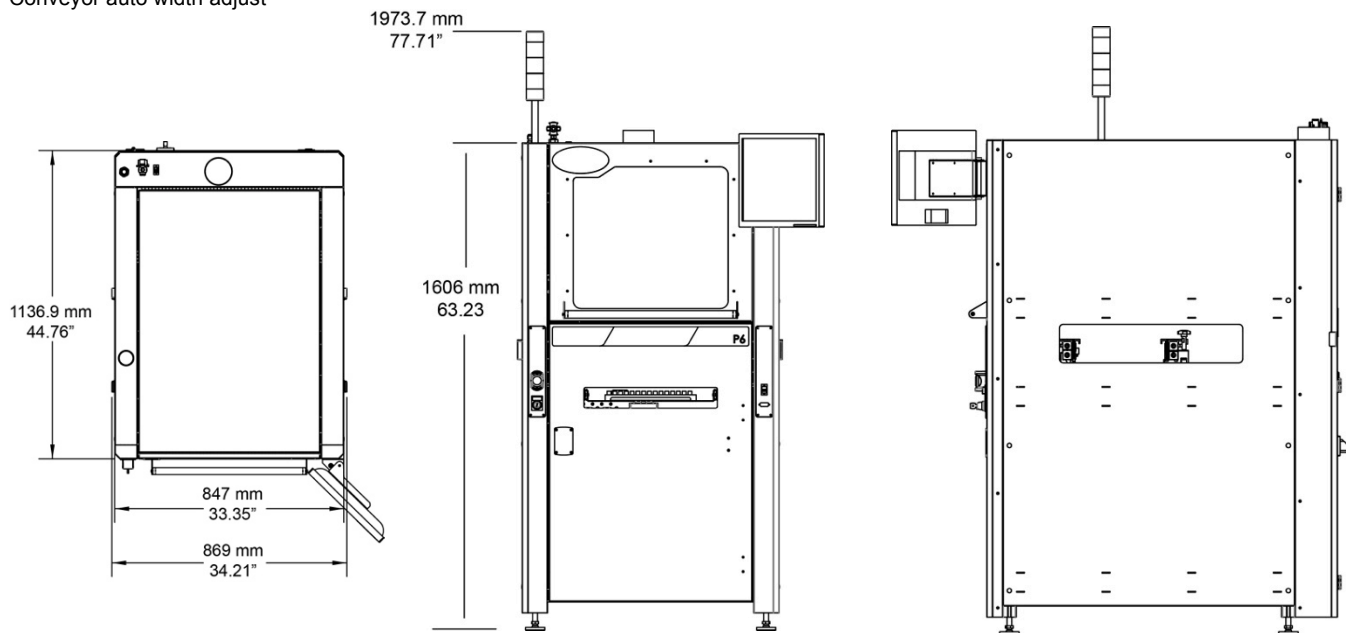
### Fluid Applicators:

**Spray Valves:** Examples of Valves in Listed Category  
 FCS300-ES, FCS300-R/F, FC100-CF  
**Dispense Valves:** FC100-MC, FCM100, FC300  
**Jetting Valve:** JDX  
**Auger Valve:** SV200, SVX  
**Progressive Cavity Valve:** VPX-450

**Material Feed Options:** Syringe (1-55cc)  
 Cartridge feed (6 – 20 oz.)  
 Pressure vessel  
 Drums, totes

### Back Side of Machine 80-100 PSI Dry Compressed Air Required

**Power Drop Required - See Machine Spec for Voltage**



www.pva.net